

**2 PIECES STAINLESS STEEL BALL VALVE PN16/40 FLANGED JC RANGE LONG PATTERN
(DIN 3202-1 F1) PTFE SEAT**

2 pieces split body ball valve JC with full bore for Chemical industries, petrochemical industries, hydraulic installation, heating, water distribution, compressed air.

Ball valve with firesafe certificate ISO 10497 and API 607 to reduce risks in case of fire.

Fugitive emission according to EN 15848-1 :2006 B Class and TA LUFT for an excellent tightness on the stem and to prevent external leakage.

PTFE seat for a temperature up to +230°C.

Compatible with explosive atmosphere, ATEX Zone 1&21 and Zone 2&22 thanks to the double antistatic device.

Handling possible with locking device, gearbox, oval handwheel or stem extension.

Thanks to the ISO 5211 plate, an actuator can be installed on the valve.



Certificate
3.1

NACE
MR01-75



JC
VALVES



Size : DN15 to DN200

Connection : Flanged PN16/40 RF

Min Temperature : -50°C

Max Temperature : +230°C

Max Pressure : 40 Bars up to DN50, 16 bars over

Specifications : PTFE seat

ISO 5211 mounting pad

Anti blow-out stem, full bore

Fire safe ISO 10497 : 2004, API 607 5th, BS

6755 Part 2 and API 6FA

Materials : Stainless steel EN 1.4408

**2 PIECES STAINLESS STEEL BALL VALVE PN16/40 FLANGED JC RANGE LONG PATTERN
(DIN 3202-1 F1) PTFE SEAT**

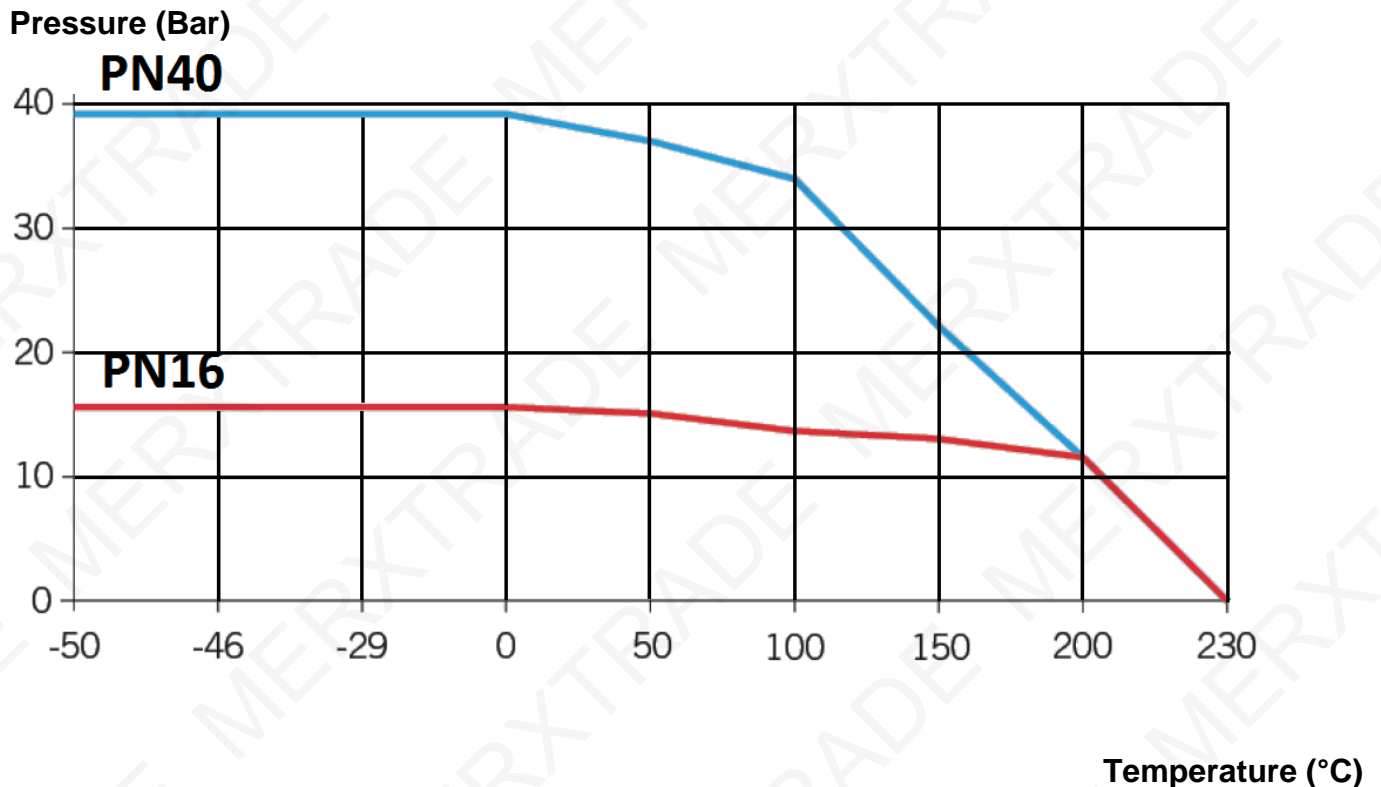
SPECIFICATIONS :

- Full bore
- Anti blow-out stem
- PTFE seat
- Locking device on request
- ISO 5211 mounting pad
- 2 pieces type (Split body)
- PN40 Flanges R.F. up to DN50, PN16 over
- Antistatic device
- Fire safe ISO 10497 : 2004, API 607 5th, BS 6755 Part.2 and API 6FA
- Fugitive emissions EN 15848-1 : 2006 and TA LUFT VDI 2440
- Graphite packing + FKM O ring on stem
- With exhaust hole in the ball (located in the top of the ball to avoid overpressure in it)
- Blue painting RAL 5009 color, 15-50µ thickness

USE :

- Chemical industries, petrochemical industries, hydraulic installation, heating, water distribution, compressed air
- Min and max Temperature Ts : -50°C to + 230°C
- Max Pressure Ps : 40 bars up to DN50, 16 bars over (see graph)
- Vacuum 10⁻² torr
- Compressed air (ambient temperature) : 40 bars maximum up to DN50, 16 bars over
- Steam : 12 bars maximum

PRESSURE / TEMPERATURE GRAPH (STEAM EXCLUDED) :



**2 PIECES STAINLESS STEEL BALL VALVE PN16/40 FLANGED JC RANGE LONG PATTERN
(DIN 3202-1 F1) PTFE SEAT**

FLOW COEFFICIENT Kvs (in m3 / h) :

DN	15	20	25	32	40	50	65	80	100	125	150	200
Kvs (m3 / h)	20	40	75	130	170	270	550	1000	1650	3000	4200	9000

TORQUES VALUES (in Nm without safety coefficient) :

DN	BTO*	RTO	ETO	BTC	RTC	ETC*	MAST Stem A479 F316	MAST Stem A182 F51	Ps (bars)
15	11	6	7	8	6	9	26	57	40
20	14	7	8	11	7	11	26	57	40
25	20	10	12	15	10	16	26	57	40
32	25	13	15	19	13	20	69	151	40
40	33	17	20	25	17	26	85	185	40
50	46	23	28	35	23	37	85	185	40
65	61	31	37	46	31	49	176	386	16
80	97	49	58	73	49	78	246	539	16
100	133	67	80	100	67	106	305	668	16
125	226	113	136	170	113	181	607	1329	16
150	320	160	192	240	160	256	974	2131	16
200	694	347	416	521	347	555	1387	3034	16

RANGE :

- Stainless steel body ball valve with handle flanged PN40 **Ref. 340IIT** from DN 15 to DN 50
- Stainless steel body ball valve with handle flanged PN16 **Ref. 316IIT** from DN 65 to DN 150
- Stainless steel body ball valve with free stem PN16 **Ref. 316IIT** DN200

CONNECTION :

- PN40 Flanges R.F. up to DN50, PN16 over

2 PIECES STAINLESS STEEL BALL VALVE PN16/40 FLANGED JC RANGE LONG PATTERN (DIN 3202-1 F1) PTFE SEAT

ACCESSORIES :



- Reinforced locking device

DN	15	20	25	32	40	50	65	80	100	125	150	200
Ref.	MXT-9830120	MXT-9830121	MXT-9830122	MXT-9830123	MXT-9830124	MXT-9830125	MXT-9830126	MXT-9830127	MXT-9830128	MXT-9830129		

- Stainless steel handle



DN	15	20	25	32	40	50	65	80	100	125	150
Ref.	MXT-9830513			MXT-9830514	MXT-9830515		MXT-9830516	MXT-9830517	MXT-9830518	MXT-9830519	MXT-9830520

- Stainless steel oval handwheel



DN	15	20	25	32	40	50
Ref.	MXT-9830575	MXT-9830578		MXT-9830576	MXT-9830577	

- Gearbox



DN	125	150	200
Ref.316	MXT-9830598	MXT-9830592	MXT-9830593
Ref.340			MXT-983595

- Single stainless steel stem extension 100 mm



DN	15	20	25	32	40	50	65	80	100	125	150
Ref. JC	MXT-9810615			MXT-9810616	MXT-9810617	MXT-9810618	MXT-9810619	MXT-9810620	MXT-9810621	MXT-9810622	

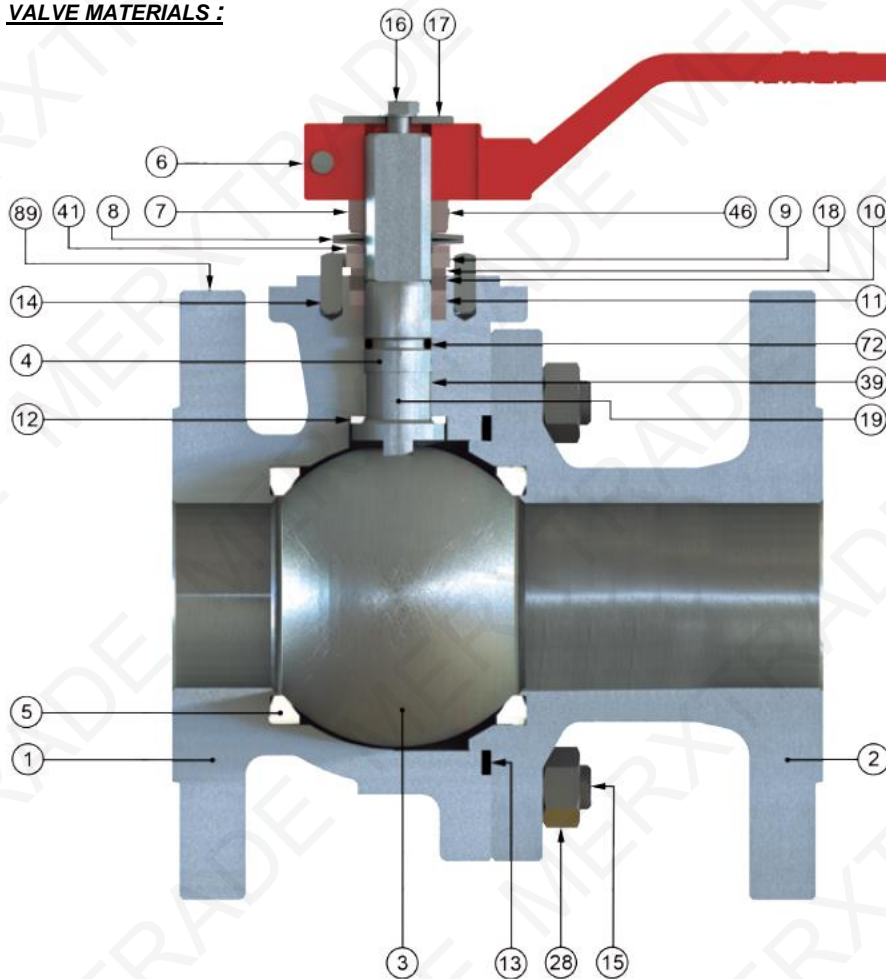
- Stainless steel stem extension 100 mm with ISO plate



DN	15	20	25	32	40	50	65	80	100	125	150	200
Ref. SF	MXT-JCRISO015020	MXT-JCRISO025	MXT-JCRISO032	MXT-JCRISO040050	MXT-JCRISO065	MXT-JCRISO080	MXT-JCRISO100	MXT-JCVSSB1125	MXT-JCVSSB1150	MXT-JCVSSB1200		

**2 PIECES STAINLESS STEEL BALL VALVE PN16/40 FLANGED JC RANGE LONG PATTERN
(DIN 3202-1 F1) PTFE SEAT**

VALVE MATERIALS :



Repairability :



*Gaskets kit (Item 5,11, 12, 13, 18, 46 and 72)	
DN15	MXT-9804600
DN20	MXT-9804601
DN25	MXT-9804602
DN32	MXT-9804603
DN40	MXT-9804604
DN50	MXT-9804605
DN65	MXT-9804606
DN80	MXT-9804607
DN100	MXT-9804608
DN125	MXT-9804609
DN150	MXT-9804610
DN200	MXT-9804611

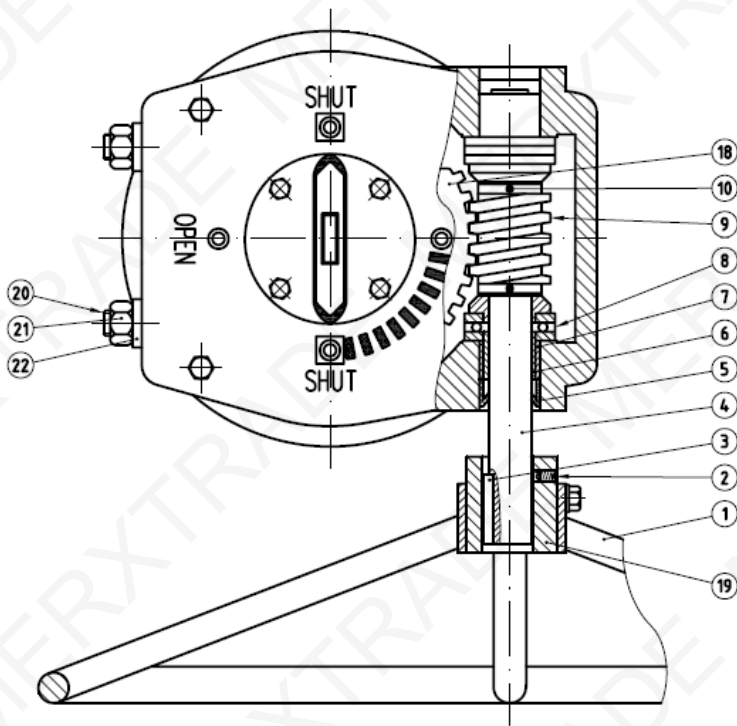
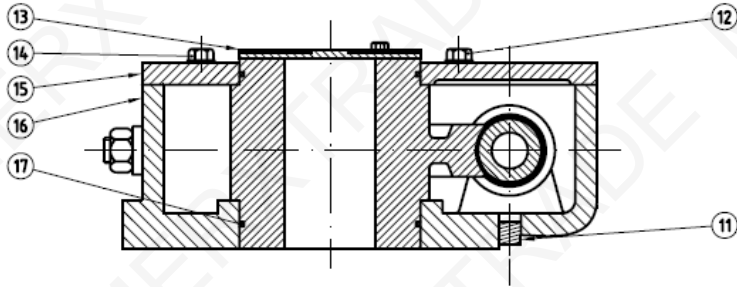
(* : Included in gaskets kit)

Item	Designation	Materials
1	Body	EN 1.4408
2	Ends	
3	Ball DN15-25	ASTM A479 Tp.316
	Ball DN 32-200	Inox ASTM A 351 CF8M
4	Stem	ASTM A479 Tp.316 or Duplex ASTM A182 F51
5*	Seat	PTFE
6	Handle	Carbon Steel A216 WCB
7	Packing nut	AISI 303
8	Elastic ring	A666 TP.301
9	Stop washer	AISI 304
10	Packing gland	AISI 316
11*	Packing	Graphite
12*	Gasket	PTFE filled with 25% glass

Item	Designation	Materials
13*	Body spiral seat	AISI 316L + PTFE + Graphite
14	Pin	Stainless Steel
15	Screw (stud DN32-100)	DIN 933 A4-70
16	Handle screw	
17	Washer	AISI 304
18*	Thrust washer	PTFE filled with 25% glass
19	Antistatic device	Stainless steel
28	Nut (DN32-100)	DIN 934 A4-70
39	Stem bushing (DN25-200)	PTFE filled with 25% glass
41	Spacer (DN40-200)	AISI 304
46*	Washer	
72*	O ring	FKM
89	ID plate	Stainless steel

**2 PIECES STAINLESS STEEL BALL VALVE PN16/40 FLANGED JC RANGE LONG PATTERN
(DIN 3202-1 F1) PTFE SEAT**

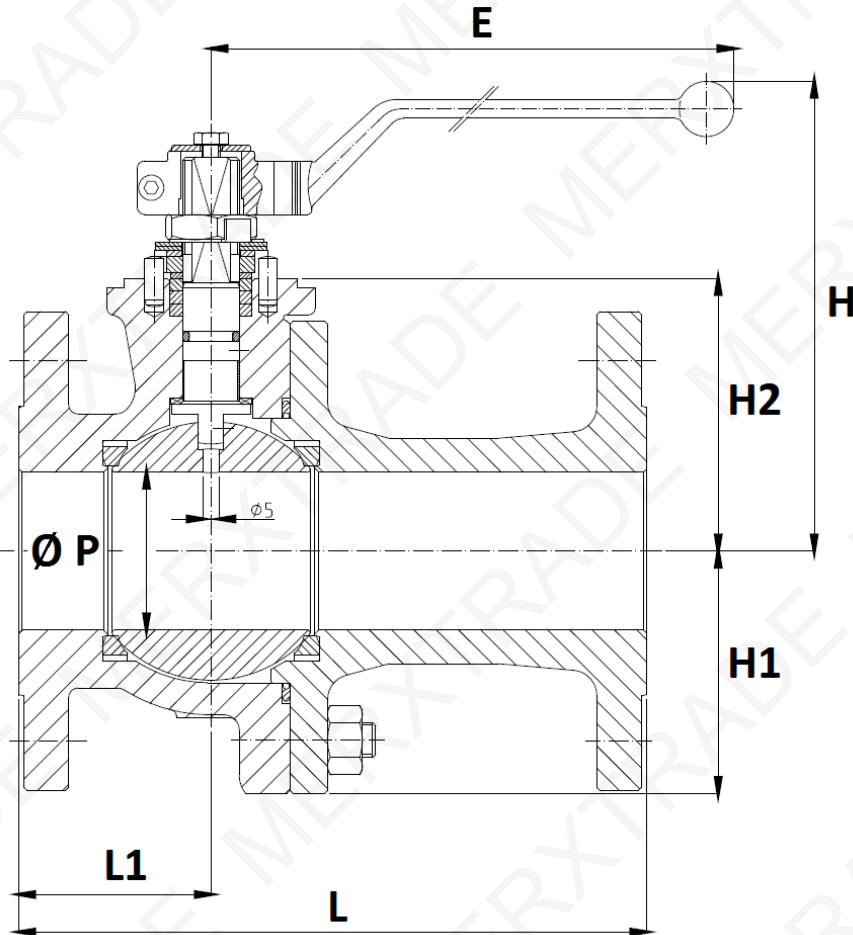
GEARBOX MATERIALS :



Item	Designation	Materials
1	Handwheel	Carbon steel
2	Screw	
3	Stem key	AISI 1045
4	Input shaft	
5	Oil seal	Rubber
6	Bearing	Cu Base Alloy
7	Oil bearing	
8	Thrust bearing	Carbon steel
9	Worm	AISI 1045
10	Pin	Carbon steel
11	Plug	
12	Screw	Cast iron
13	Indicator plate	
14	Screw	Carbon steel
15	Cover	
16	Housing	Cast iron
17	O ring	
18	Worm gear	Rubber
19	Nut	Ductile iron
20	Stop screw	
21	Nut	Carbon steel
22	Hex nut	
23-24	Spur gear cover+housing	Cast iron
25	Seal cover	Rubber
26-27-28	Screw+washer	Carbon steel
29	Gear	
30	Bearing	Cu Base Alloy
31	Bolt	Carbon steel
32	Slotted spring pin	
33	Spur gear	
34	Locator pins	

**2 PIECES STAINLESS STEEL BALL VALVE PN16/40 FLANGED JC RANGE LONG PATTERN
(DIN 3202-1 F1) PTFE SEAT**

VALVE SIZE (in mm) :

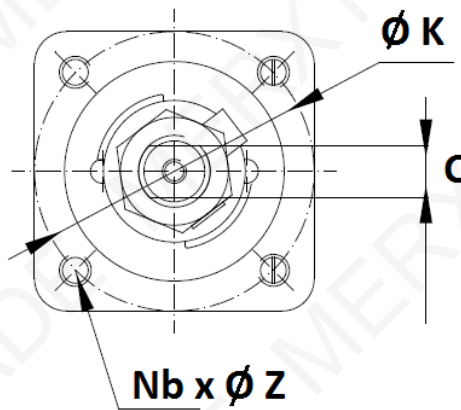
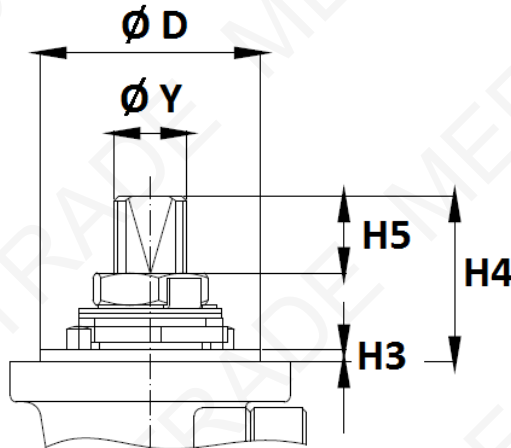


DN	15	20	25	32	40	50	65	80	100	125	150	200*
Ø P	15	20	25	32	40	50	65	80	100	125	151	203
L	130	150	160	180	200	230	290	310	350	400	480	600
L1	53	52	48.5	54	55	61	75.5	82	90.5	120	135	200
E	164	164	164	210	213	213	348	445	495	698	698	868
H	111	118	130	131	148	155	169	207	232	265	298	353
H1	-	-	-	-	-	-	-	-	118	138	160	208
H2	46	53	58	66.5	76	83.5	97	111	133	156	183	233
Weig. (Kg)	3	3.8	5.2	7.6	9.6	12.9	18.3	24	36	58	81	-

* Handle on request for DN200 (free stem in standard)

**2 PIECES STAINLESS STEEL BALL VALVE PN16/40 FLANGED JC RANGE LONG PATTERN
(DIN 3202-1 F1) PTFE SEAT**

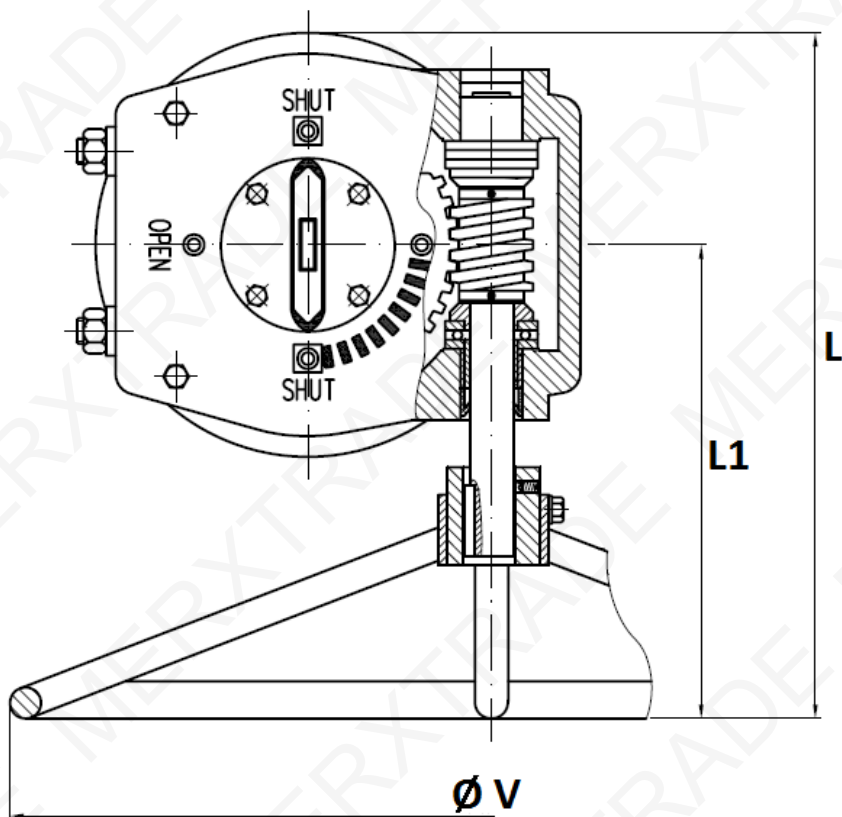
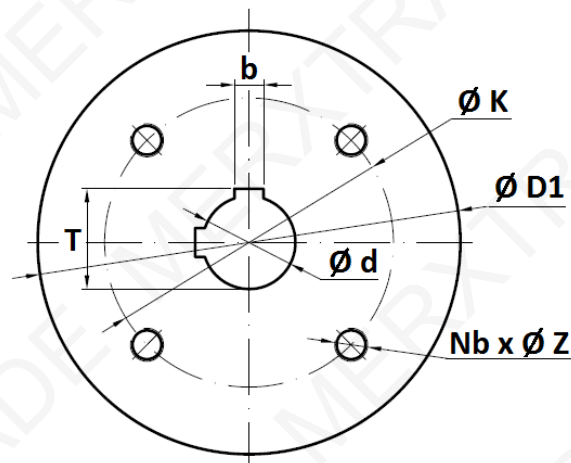
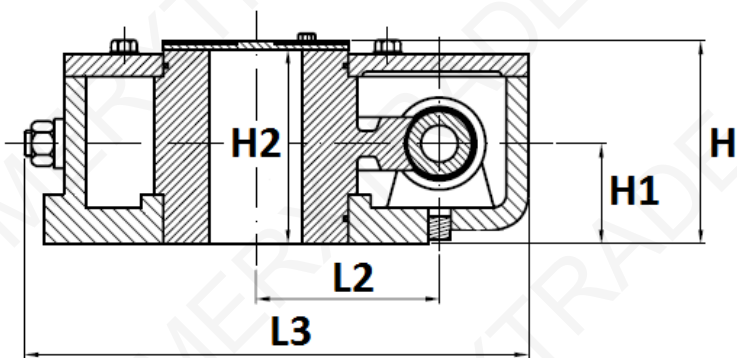
ISO MOUNTING PAD AND STEM SIZE (in mm) :



DN	15	20	25	32	40	50	65	80	100	125	150	200
H3	1.5				3				4			
H4	11.2	14.7	22.7	32	41.5	41.5	44	44.5	56.5	56	68	72
H5	5	8.5	9.5	13	18.3	18.3	18.6	18.6	27.8	24.7	37.1	36.5
C	9	9	9	12	13	13	16	18	20	25	29	32
Ø Y	M12x1.5			M16x1.5	M18x1.5		M22x1.5	M25x1.5	M28x1.5	M35x2	M40x2	M45x2
Ø D	35				55			70		85		100
Ø K	50	50	50	50	70	70	70	102	102	125	125	140
ISO	F05	F05	F05	F05	F07	F07	F07	F10	F10	F12	F12	F14
N x Ø Z	4 x M6	4 x M6	4 x M6	4 x M6	4 x M8	4 x M8	4 x M8	4 x M10	4 x M10	4 x M12	4 x M12	4 x M16

**2 PIECES STAINLESS STEEL BALL VALVE PN16/40 FLANGED JC RANGE LONG PATTERN
(DIN 3202-1 F1) PTFE SEAT**

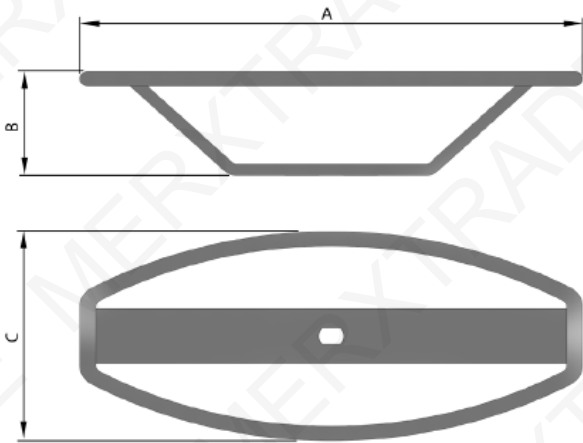
GEARBOX SIZE DN125-200 (in mm) :



DN	125-150-200
Ø V	465
L	331.5
L1	229
L2	77.5
L3	245
H	107
H1	55
H2	85
Ø d	45
Ø D1	205
Ø K	140
ISO	F14
Nb - Ø Z	4-M16x20
b	14
T	48.6
Weight (in Kg)	17.8
Torque (Nm)	1200

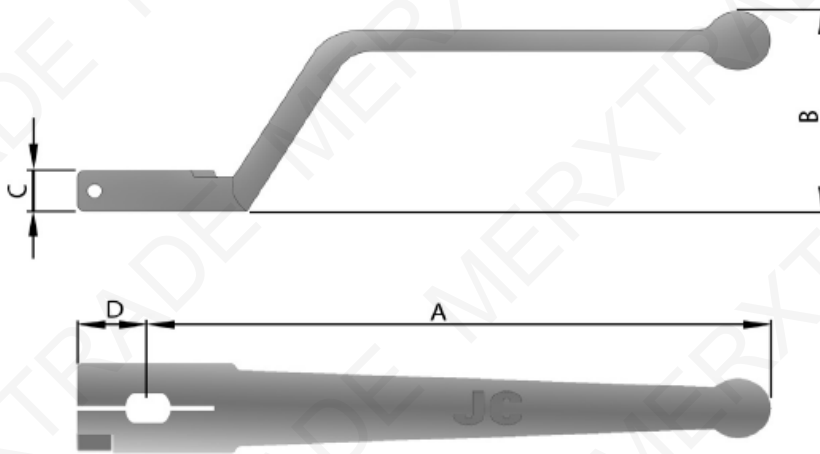
**2 PIECES STAINLESS STEEL BALL VALVE PN16/40 FLANGED JC RANGE LONG PATTERN
(DIN 3202-1 F1) PTFE SEAT**

OVAL HANDWHEEL SIZE DN15-50 (in mm) :



DN	15	20	25	32	40	50
A	160	160	160	200	216	216
B	54	54	54	56	57	57
C	75	75	75	90	100	100
Weight (Kg)	0.25	0.25	0.25	0.5	0.55	0.55
Ref.	MXT-9830575	MXT-9830578		MXT-9830576	MXT-9830577	

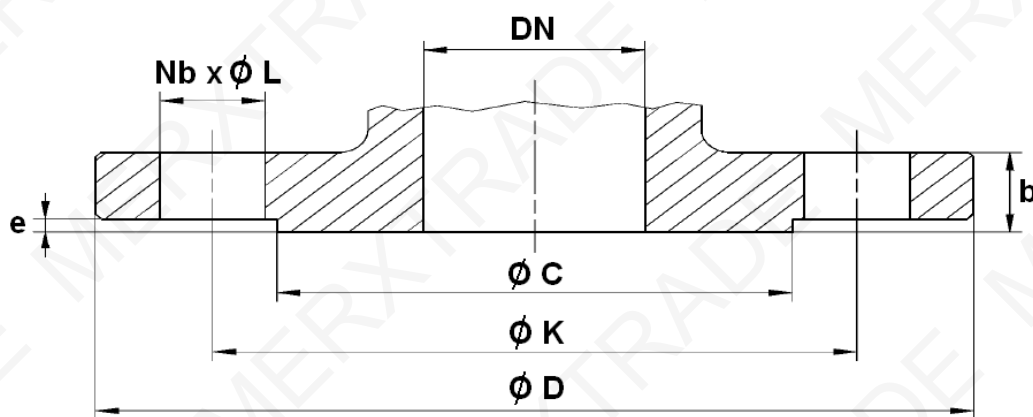
STAINLESS STEEL HANDLE SIZE DN15-200 (in mm) :



DN	15	20	25	32	40	50	65	80	100	125	150	200
A	163.5		300		212.5		347.5	445	495	697.5		867.5
B	58.5		45	48.5		46.5	70	70	77.5	84.5	84.5	
C	12		16	21		20		29	30	40		
D	18.5		22	25.5			33		47		55	
Weight (Kg)	0.2		0.3	0.53		0.63	1.52	1.85	2.95	3.4	4.6	
Ref.	9830513		9830514	9830515		9830516	9830517	9830518	9830519	9830520		

**2 PIECES STAINLESS STEEL BALL VALVE PN16/40 FLANGED JC RANGE LONG PATTERN
(DIN 3202-1 F1) PTFE SEAT**

FLANGES SIZE (in mm) :



DN	15	20	25	32	40	50	65	80	100	125	150	200
Ø C	45	58	68	78	88	102	122	138	158	188	212	268
Ø D	95	105	115	140	150	165	185	200	220	250	285	340
Ø K	65	75	85	100	110	125	145	160	180	210	240	295
Nb x Ø L	4 x 14	4 x 14	4 x 14	4 x 18	4 x 18	4 x 18	4 x 18	8 x 18	8 x 18	8 x 18	8 x 22	12 x 22
b	16	18	18	18	18	20	18	20	20	22	22	24
e	2	2	2	2	3	3	3	3	3	3	3	3

**2 PIECES STAINLESS STEEL BALL VALVE PN16/40 FLANGED JC RANGE LONG PATTERN
(DIN 3202-1 F1) PTFE SEAT**

STANDARDS :

- Manufacturer certified ISO 9001:2015 and ISO 14001 : 2015
- DIRECTIVE 2014/68/EU: For liquids or Gas of Group 1
 - DN15-25: Article 4, §3 (SEP), no CE marking
 - DN32: Risk category I, CE marking
 - DN40-50: Risk category II, CE 0056 marking
 - DN65-80: Risk category I, CE marking
 - DN100-200: Risk category II, CE 0056 marking
- Certificate 3.1 on request
- Valve designing according to EN 1983 – ISO 17292 and EN 12516
- Materials according to NACE MR 01-75
- Pressure Tests according to EN 12266-1, Rate A
- Marking according to EN 19
- Fire safe according to ISO 10497 : 2004, API 607 5th, BS6755 Part 2, and API 6FA 1994
- Fugitive Emissions according to EN 15848-1 : 2006 B Class and TA LUFT VDI 2440
- SIL2 according to IEC/EN 61508, SIL 3 possible according to the type of installation
- Flanges R.F. type B1 according to EN 1092-1 PN16/40
- Shell finishing quality : MSS SP 55
- ISO 5211 mounting pad
- Length according to EN 558 series 1 (long pattern DIN 3202-1 F1)
- ATEX Group II Category 2 G/2Dc Zone 1 & 21 Zone 2 & 22 (optional marking) up to DN200 according to directive 2014/34/EU
- Russian certificate TRCU 10, TRCU 12 and TRCU 32 (EAC marking and declaration **on request**)

ADVICE : Our opinion and our advice are not guaranteed and Merxtrade shall not be liable for the consequences of damages. The customer must check the right choice of the products with the real service conditions.